

Project Spotlight

Drawing & Cut List

BUILDING AN OUTDOOR BENCH

By Jimmy DiResta

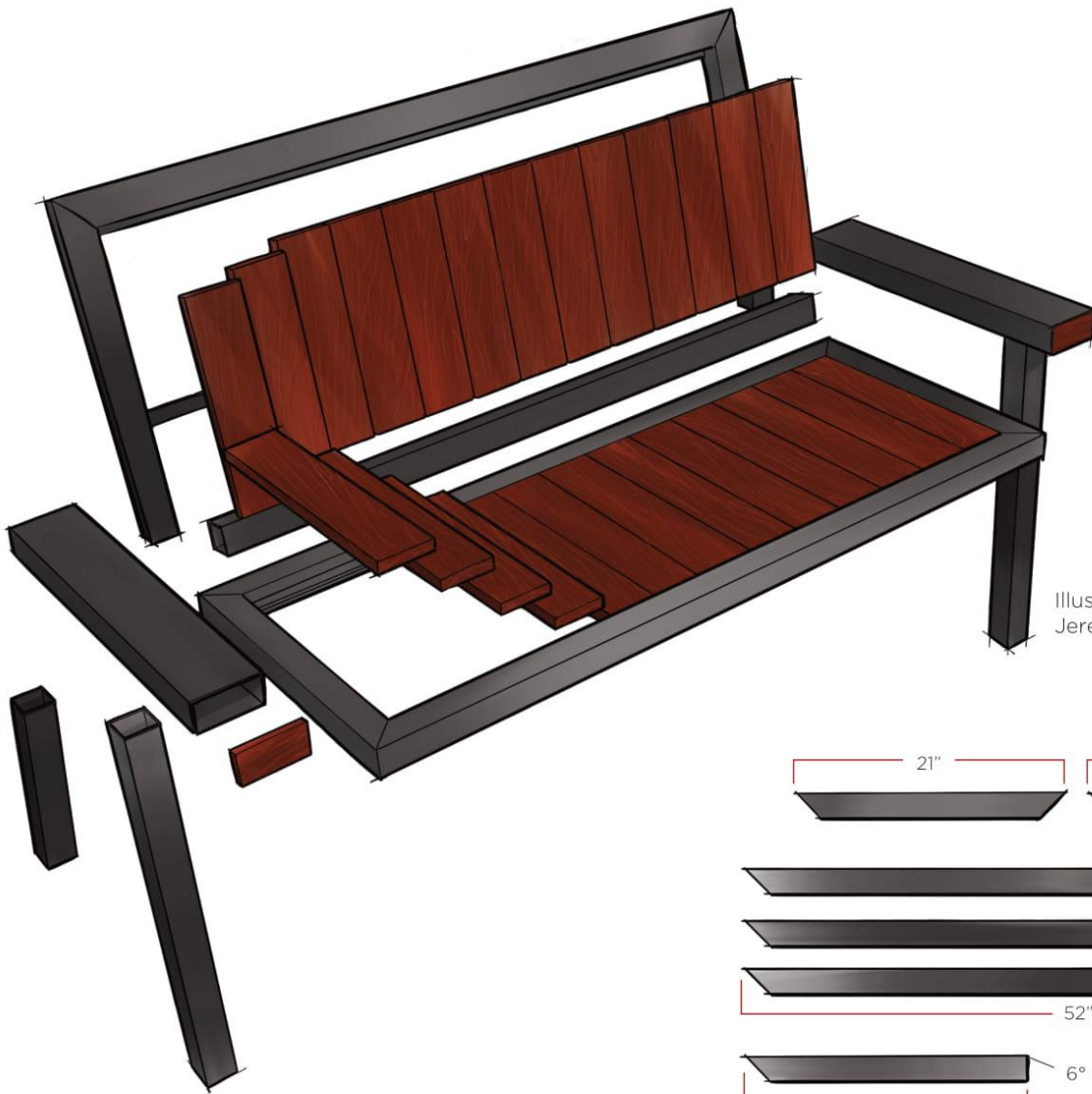
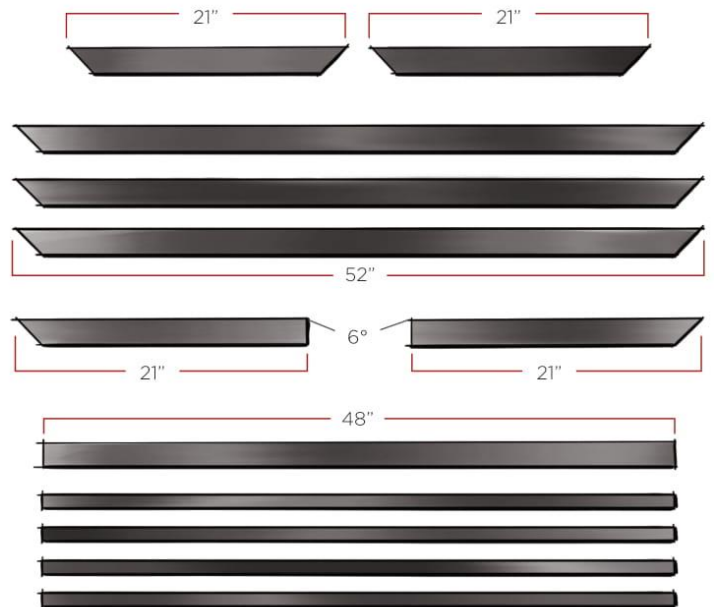
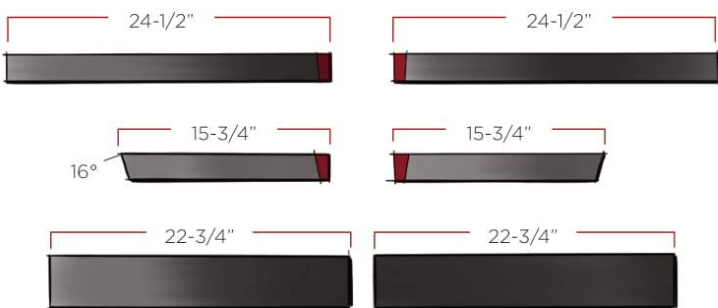
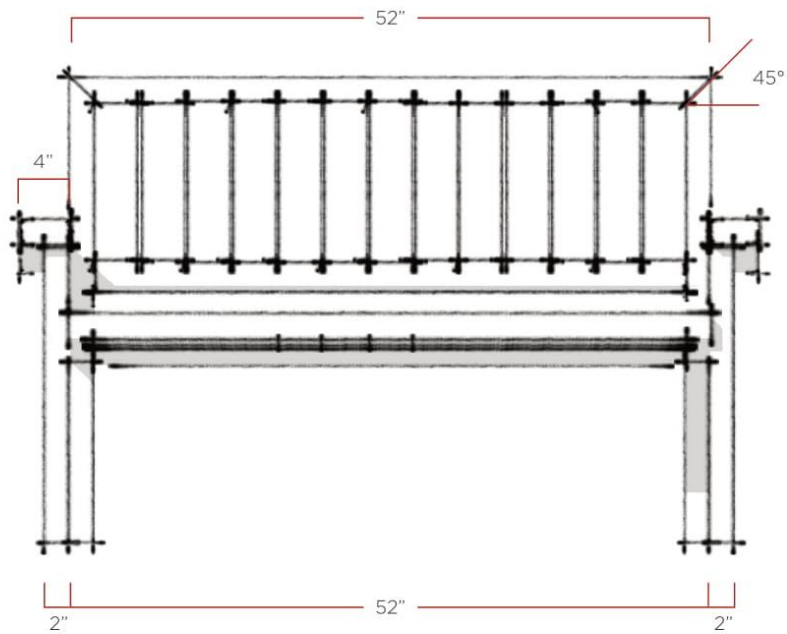


Illustration by
Jeremy Lacy



Project Spotlight

Drawing & Cut List



MATERIALS

- 4 feet of 2 x 4 16 ga. box tubing
- 30 feet of 2 x 2 16 ga. box tubing
- 16 feet of 1 inch 16 ga. flat stock
- 40 feet of 1 x 4 hardwood
- 3/4-inch wood screws
- Wipe-on polyurethane
- Clear spray lacquer

WELDING/CUTTING EQUIPMENT

- Lincoln Electric welder
- Bandsaw with metal cutting blade
- Bar clamps
- Electric drill/driver
- Angle grinder with abrasive disk

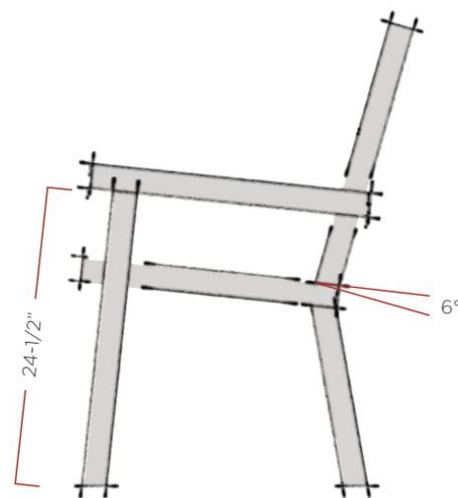
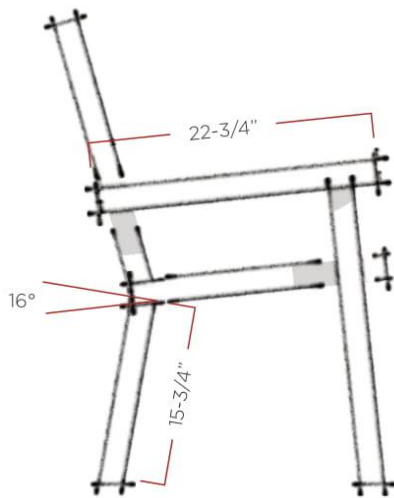


Illustration by Jeremy Lacy

All trademarks and registered trademarks are the property of their respective owners

